



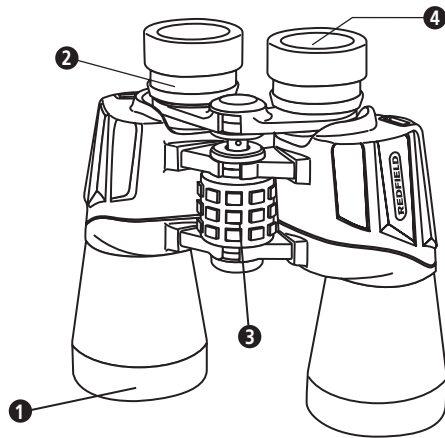
REDFIELD

Binocular User's Manual

the SOUL of the AMERICAN HUNTER™

Since 1909

Parts of the Binocular



Binoculars shown may differ from the model you purchased, however the parts are the same

1. Objective Lens
2. Diopter Adjustment
3. Focus Adjustment
4. Eyepiece

Adjusting Interpupillary Distance

The interpupillary distance is simply the distance between the pupils of your eyes. To ensure a clear, single image, the binocular must be set so that the center of each ocular lens is the same distance apart as your own pupils.

To set the interpupillary distance:

1. Hold the binocular up to your eyes in the normal manner.
2. Look through the binocular with both eyes open.
3. Move the two barrels (halves) up or down until you see a single, circular image.

Setting the Diopter Adjustment

Setting the diopter adjustment of your binocular properly is very important, as properly adjusted binoculars will prevent eye strain and provide you with a crisp, sharp image.

To set the diopter adjustment:

1. View an object about 100 yards in the distance.
2. Cover the right objective lens with your hand and keep both eyes open.
3. Adjust the center focus wheel (located between the two barrels) until the image presented to your left eye is clear and sharp.
4. Cover the left objective lens with your hand and keep both eyes open.

5. Adjust the diopter adjustment dial located around the right barrel, near the eyepiece, until the image presented to your right eye is clear and sharp.

Your binocular is now focused for your eyesight. To make any adjustments in the field, simply turn the center focus dial while viewing through both barrels.

A NOTE FOR THOSE WHO WEAR EYEGLASSES

Redfield binoculars feature eyecups you can twist, or push up and down to accommodate the eye relief distance required when wearing eyeglasses.

Cleaning

You can clean the fully armored body by simply wiping off any accumulated dirt or dust.

Clean the lenses as you would a camera lens. For optimal cleaning, use the Leupold® Lens Cleaning System. Begin by using the brush to whisk away dust. Then use the microfiber cleaning tip, which is impregnated with a special non-liquid cleaning compound, to clean the glass. If you don't have a Leupold Lens Cleaning System, use a standard lens brush to remove dust and then pure alcohol, high-grade glass cleaner, or pure water on a cotton swab.

Redfield Product Service

If your Redfield binocular fails to perform in any way, you may return it directly to the Redfield factory for service. It is not necessary for your dealer to ship the binocular to Redfield; however, they can be very helpful in determining if factory service is necessary.

Please follow these shipping instructions:

1. Include a note with your name, address, telephone number, e-mail, and a description of the problem.
2. Pack the binocular in its original box (if you have it) or another suitably strong shipping box.
3. Wrap the package securely using filament strapping tape on the outside.
4. Ship the binocular by parcel or mail service (insured, if possible) to one of the following addresses in the United States:

Parcel Service:

Redfield Product Service
14400 NW Greenbrier Parkway
Beaverton, OR 97006-5790 USA

By Mail:

Redfield Product Service
P.O. Box 688
Beaverton, OR 97075-0688 USA

Our Product Service telephone numbers are (503) 526-1400 or (877) 798-9686.

We can also be contacted through our web site at www.redfield.com

The Redfield Limited Lifetime Warranty
Redfield sporting optics are engineered and manufactured to standards set and monitored by Redfield, with the goal of reliable performance at an accessible price.

Redfield non-electronic products are warranted for as long as the original owner owns them. We warrant them to be free of defects in materials and workmanship, and to function satisfactorily under normal use conditions. If at any time a Redfield non-electronic product is found to have a defect in materials or workmanship, Redfield will, at our discretion, repair or replace it free of charge, when requested by the original owner.

All warranties are void if damage results from unauthorized repair, alteration, or misuse. Both warranties are given solely to the original owner and are not transferable.

Leupold & Stevens, Inc. reserves all other rights. Redfield is a registered trademark of Leupold & Stevens, Inc., Beaverton, Oregon. Accu-Range, Accu-Trac, Bear Cub, 4-Plex and Orion are trademarks of Leupold & Stevens, Inc. Beaverton, Oregon.

Note: We reserve the right to make design and/or material modifications without prior notice.

REDFIELD™

A Brand of Leupold & Stevens Inc.

www.redfield.com

Part #67947 Artwork #67948B



100% Recyclable

*This publication may not be reprinted or otherwise reproduced without the expressed written consent of Leupold & Stevens, Inc.
© 2009 Leupold & Stevens, Inc. All rights reserved.*

— R E D F I E L D —