



CounterStrike™ Owner's Manual

Complete Installation & Operating Instructions

Before You Start

PLEASE READ THIS ENTIRE HANDBOOK BEFORE MOUNTING YOUR SCOPE.



CAUTION: Always check and be certain that the firearm is unloaded before undertaking any work upon it.

Class 3R levels of laser radiation are considered to be, depending upon the irradiance, either an acute intrabeam viewing hazard or chronic view hazard, and an acute viewing hazard if viewed directly with optical instruments.

Never aim at a human eye, or look into the laser aperture when activated.

Use of controls or adjustment or performance of procedures other than those specified herein may result in hazardous radiation exposure.

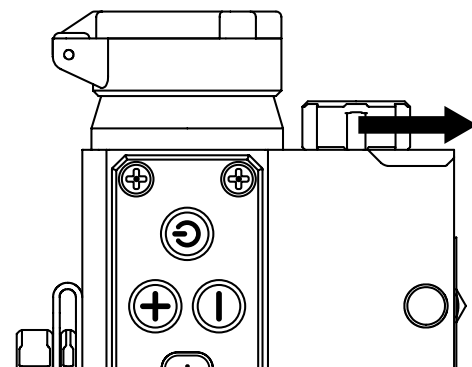
Introduction

The Redfield Counterstrike Tactical Red Dot Sight is a unique combination of a user selectable 4.0 MOA (Minute of Angle) Red/Green Dot sight and an integrated 5 megawatt visible red laser sight. Your Counterstrike was designed, manufactured, and tested to ensure that, when properly mounted and sighted-in on your firearm, you will enjoy exceptional performance.

The Counterstrike features an integral Mil-STD 1913/Picatinny rail mount, Long battery life (up to 5,000 hours on lowest setting and up to 500 hours on highest setting not including running of the external laser), unlimited eye relief, and is 100% waterproof, fogproof, and shock proof.

Installing the Battery

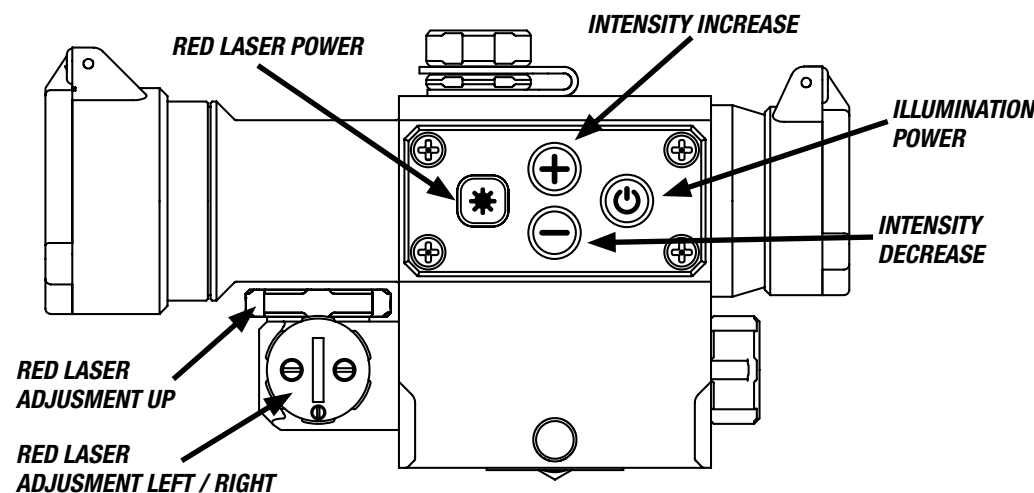
1. Remove the battery cap by turning it counter-clockwise
2. Insert the supplied battery (CR123A 3.0 Volt Lithium) into the battery housing with the negative (-) end facing out towards the battery cap
3. Reinstall the battery cap finger tight by turning it clockwise. Do not over tighten. Ensure that the rubber O-ring is present/not damaged prior to reinstalling the battery cap



Mounting the Counterstrike to the Firearm

1. The Redfield Counterstrike Tactical Red Dot Sight is designed to mount directly to common Mil-STD 1913/Picatinny rail assemblies.
2. Loosen the ½" keeper nut on the Counterstrike mount allowing the keeper to move freely on the cross bolt.
3. With the ½" keeper nut on the right side of the firearm, slide the Counterstrike onto the rail to the desired location. Allow the cross bolt to drop into the desired cross slot. Eye relief can easily be changed by moving the Counterstrike forward or backward on the rail.
4. Ensure that the cross bolt is firmly engaged against the front edge of the cross slot by pushing forward on the mount while tightening the ½" keeper nut. Tighten the nut finger tight and verify that the Counterstrike is positioned correctly.
5. If the eye relief is correct, torque the ½" keeper nut to 45 in/lbs Do not over tighten. If the eye relief is not correct, repeat steps 2 & 3.

Operating Instructions



ACTIVATING THE RED/GREEN DOT RETICLE

The Counterstrike features an illuminated, 4 MOA (Minute Of Angle) Red or Green Dot aiming reticle.

1. To activate the dot push and release the illumination power button . The dot will illuminate either red or green.
2. Push and release the illumination power button to toggle between the red or green dot.
3. To turn off the dot illumination, push and hold the illumination power button for more than 2 seconds.

Note: The unit will shut off automatically after 5 hours.

ADJUSTING ILLUMINATION BRIGHTNESS

The Illuminated dot features 11 intensity settings, including two that are night vision compatible.

1. To increase the dot brightness one increment at a time, push and release the intensity increase button . To automatically scroll up through the brightness settings push and hold the intensity increase button.
2. To decrease the dot brightness one increment at a time, push and release the intensity decrease button . To automatically scroll down through the brightness settings push and hold the intensity decrease button.

Note: The two lowest intensity settings are night vision compatible

ACTIVATING THE VISIBLE LASER SIGHT

Class 3R levels of laser radiation are considered to be, depending upon the irradiance, either an acute intrabeam viewing hazard or chronic view hazard, and an acute viewing hazard if viewed directly with optical instruments.

Caution: Never aim at a human eye, or look into the laser aperture when the laser is activated

1. To turn the visible 5mw red laser sight on or off, push and release the laser sight power button .

MAKING WINDAGE AND ELEVATION ADJUSTMENTS TO THE RED/GREEN DOT SIGHT

The windage and elevation adjustment dials for the illuminated dot reticle are located on the right side and top of the Counterstrike respectively, and feature adjustment dial covers that are tethered to prevent loss in the field. Both adjustment dials are marked in ½ MOA (Minute of Angle) increments and click into position. For example, each click of the dial will move the point of impact ½ MOA (or ½ Inch) at 100 yards.

To Make an Elevation Adjustment:

1. Remove the elevation adjustment cover on top of the sight by turning it counter-clockwise.
2. Using a coin (preferred) or flat blade driver, turn the elevation adjustment dial in the appropriate direction as indicated on the dial.
3. To move the point of impact up, turn the dial counter-clockwise.
4. To move the point of impact down, turn the dial clockwise.
5. When finished, reinstall the adjustment cover turning it clockwise Do not over tighten.

To Make a Windage Adjustment:

1. Remove the windage adjustment cover on the right side of the sight by turning it counter-clockwise.
2. Using a coin (preferred) or flat blade driver turn the windage adjustment dial in the appropriate direction as indicated on the dial.
3. To move the point of impact to the right turn the dial counter-clockwise.
4. To move the point of impact to the left turn the dial clockwise.
5. When finished reinstall the adjustment cover turning it clockwise Do not over tighten.

MAKING WINDAGE AND ELEVATION ADJUSTMENTS TO THE LASER SIGHT

The windage and elevation adjustments for the visible red laser sight are located on the left side and top of the laser module respectively. Both adjustments feature locking screws that must be loosened prior to making any adjustments in order to avoid damaging the unit. Tighten the adjustment lock screws before firing.

To Make An Elevation Adjustment To The Laser Sight:

1. Using the supplied hex wrench, loosen the two lock screws located in the outside edge of the elevation adjustment dial.
2. Turn the adjustment dial in the appropriate direction as indicated on the dial
3. To move the point of impact up turn the dial clockwise
4. To move the point of impact down turn the dial counter-clockwise
5. When finished, gently tighten the adjustment lock screws using the provided hex wrench. Do not over tighten

Note: In certain instances one of the elevation dial lock screws may be inaccessible due to the positioning of the dial relative to the sight housing. In this instance you only need to tighten the accessible of the two available lock screws. At no time will both elevation dial lock screws be inaccessible.

To Make A Windage Adjustment To The Laser Sight:

1. Using the supplied hex wrench, loosen the adjustment lock screw

on the face of the windage adjustment dial. Note: the adjustment lock screw is the smallest of the three screws visible on the face of the windage dial and the arrow of the direction indicator points to the lock screw.

2. Turn the adjustment dial in the appropriate direction as indicated on the dial.
3. To move the point of impact to the right turn the dial counter-clockwise.
4. To move the point of impact to the left turn the dial clockwise.
5. When finished, gently tighten the adjustment lock screw using the provided hex wrench. Do not over tighten.

A Simple Way To Sight In The Visible Laser:

1. When the 4 MOA dot sight has been zeroed to the firearm, loosen the laser sight adjustment lock screws and look through the sight at a target with the 4 MOA dot reticle and visible laser both powered on.
2. While holding the illuminated 4 MOA dot reticle on the target at 25-50 yards move the laser sight adjustments until the red laser is super imposed (co-witnessed) on the 4 MOA dot.
3. Tighten the laser adjustment lock screws and test fire to confirm the point of impact.

Note: Due to the difference in height of the firearm's bore, the laser sight and the red/green dot sight there may be slight differences in the point of bullet impact relative to the laser and 4 MOA dot at distances longer or shorter than the initial sight in.

WARRANTY

REDFIELD: "NO EXCUSES"

We build our Redfield riflescopes, sights, binoculars, spotting scopes and laser rangefinders to do their jobs. Day after day. Season after season. It's what you expect for your hard earned money.

If you ever have an issue, the last thing you need is backpedaling and passing the buck. That's where our "No Excuses" Warranties come in. If you have a problem with your Redfield product, we will make it right. No Hassle, no excuses. That's the Redfield way. Please see www.redfield.com for warranty details.

Your Redfield Counterstrike™ is protected by two distinct warranties:

THE REDFIELD "NO EXCUSES" FULL LIFETIME WARRANTY

Redfield non-electronics products are warranted for as long as the owner owns them. We warrant them to be free of defects in materials and workmanship and function at a high level under normal use conditions. If at any time a Redfield non-electronic product is found to have a defect in materials or workmanship, Redfield will, at our discretion, repair or replace it free of charge, when requested by the original owner.

The Redfield package is made in part from recycled materials and is 100% recyclable. Many Redfield owners keep their scope boxes. If you have no use for yours, we encourage you to dispose of it responsibly.



A Leupold & Stevens Inc. Company

Leupold & Stevens, Inc. reserves all other rights. Redfield and Tracker are registered trademarks of Leupold & Stevens, Inc., Beaverton, Oregon. Accu-Range, Accu-Trac, Bear Cub, 4-Plex and Orion are trademarks of Leupold & Stevens, Inc. Beaverton, Oregon. Note: We reserve the right to make design and/or material modifications without prior notice.

This publication may not be reprinted or otherwise reproduced without the expressed written consent of Leupold & Stevens, Inc. Copyright © 2013 Leupold & Stevens, Inc. All rights reserved.

www.redfield.com

Part #117976 Artwork #117978B



100% Recyclable