



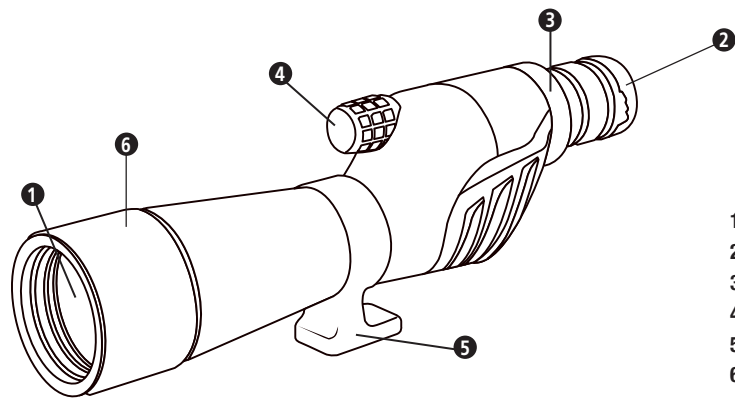
REDFIELD™

Using the Redfield® Rampage™ Spotting Scope

the SOUL of the AMERICAN HUNTER™

Since 1909

Parts of the Spotting Scope



1. Objective Lens
2. Eyepiece
3. Power Selector Ring
4. Focus Adjustment
5. Tripod Mount
6. Lens Shade

Using a Tripod

The Redfield variable spotting scope is equipped with a 1/4 -20 thread tripod adapter that will accept the standard 1/4 -20 thread mounting screw found on most photographic and field tripods.

Focusing

The Redfield Rampage variable-magnification spotting scope is equipped with a twist-up eyecup to allow for ease of use with or without eyeglasses. To adjust the eyecup for use while wearing eyeglasses, simply twist the eyecup clockwise until it rests in its lowest position. To extend the eyecup, simply place fingers around the edge of the eyecup and twist it counter-clockwise away from the spotting scope.

FOCUSING

To focus the image of the Redfield Rampage variable-magnification spotting scope:

1. Position the eyecup to best accommodate your comfort (or eyeglasses, if necessary).
2. Adjust the magnification setting to the lowest power for easy object location.
3. View the object you desire to observe through the spotting scope.
4. Adjust the magnification level as desired.
5. Turn the focus adjustment dial (located on the upper forward edge of the "shoulder" of the scope) until the image of the object being viewed is seen as crisp and sharp.

Maintenance

SEALS

The Redfield Rampage variable-magnification spotting scope is sealed from within by several methods, including O-rings and special compounds. All seals are permanent and require no maintenance.

LENSES

Should the lenses of the scope become dirty, clean them as you would any fine camera lens.

1. Use a lens brush to remove dust.
2. Fingerprints that cannot be removed by brushing can be removed with a good grade of glass cleaner. When wiping the lens, use a soft cloth and wipe from the center of the lens outward.

Redfield optics are engineered and manufactured to standards set and monitored by the design engineers at Redfield's plant in Oregon. The goal is to provide you with reliable performance at a reasonable price.

Should service ever become necessary, these spotting scopes are backed by the Redfield Limited Lifetime Warranty. All service work is performed by the Redfield Product Service department in Beaverton, Oregon.

Redfield Product Service

If your Redfield spotting scope fails to perform in any way, you may return them directly to the Redfield factory for service. It is not necessary for your dealer to ship the spotting scope to Redfield; however, they can be very helpful in determining if factory service is necessary.

PLEASE FOLLOW THESE SHIPPING INSTRUCTIONS:

1. Include a note with your name, address, telephone number, e-mail, and a description of the problem.
2. Pack the spotting scope in its original box (if you have it) or another suitably strong shipping box.
3. Wrap the package securely using filament strapping tape on the outside.
4. Ship the spotting scope by parcel or mail service (insured, if possible) to one of the following addresses in the United States:

Parcel Service:

Redfield Product Service
14400 NW Greenbrier Parkway
Beaverton, OR 97006-5790 USA

By Mail:

Redfield Product Service
P.O. Box 688
Beaverton, OR 97075-0688 USA

Our Product Service telephone numbers are (503) 526-1400 or (877) 798-9686.

We can also be contacted through our web site at www.redfield.com

The Redfield Limited Lifetime Warranty

The Redfield Limited Lifetime Warranty
Redfield sporting optics are engineered and manufactured to standards set and monitored by Redfield, with the goal of reliable performance at an accessible price.

Redfield non-electronic products are warranted for as long as the original owner owns them. We warrant them to be free of defects in materials and workmanship, and to function satisfactorily under normal use conditions. If at any time a Redfield non-electronic product is found to have a defect in materials or workmanship, Redfield will, at our discretion, repair or replace it free of charge, when requested by the original owner.

All warranties are void if damage results from unauthorized repair, alteration, or misuse. Both warranties are given solely to the original owner and are not transferable.

Leupold & Stevens, Inc. reserves all other rights. Redfield is a registered trademark of Leupold & Stevens, Inc., Beaverton, Oregon. Accu-Range, Accu-Trac, Bear Cub, 4-Plex and Orion are trademarks of Leupold & Stevens, Inc. Beaverton, Oregon.

Note: We reserve the right to make design and/or material modifications without prior notice.

REDFIELD™

A Brand of Leupold & Stevens Inc.

www.redfield.com

Part #67974 Artwork #67977B



100% Recyclable

*This publication may not be reprinted or otherwise reproduced without the expressed written consent of Leupold & Stevens, Inc.
© 2009 Leupold & Stevens, Inc. All rights reserved.*

— R E D F I E L D —